

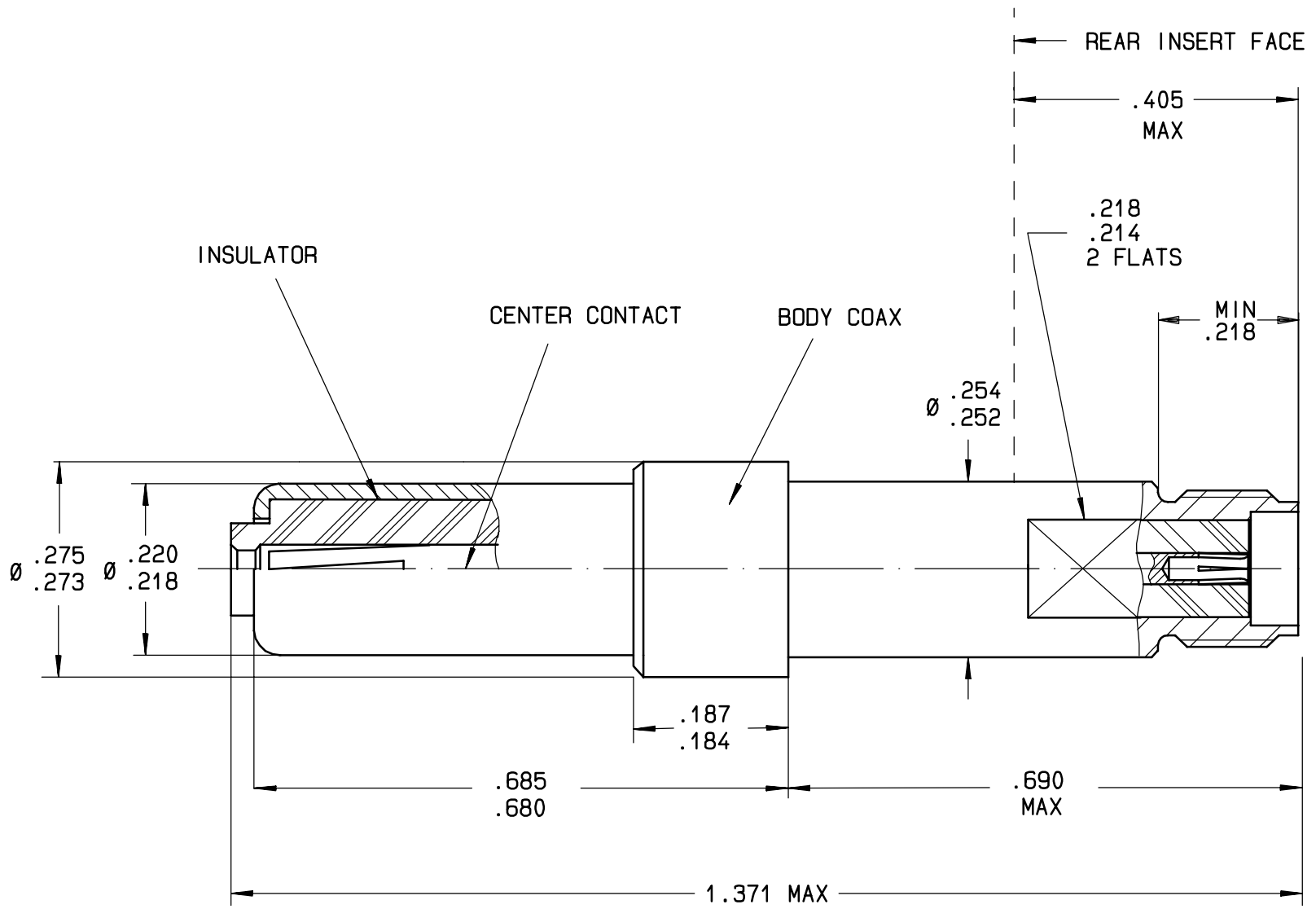


Series
NSX

SIZE 5 PIN COAXIAL CONTACT WITH SMA TERMINATION
SPL ECS

Issue:
10 APRIL 97

Page
1 / 1



MATERIAL AND FINISHES:

BODY COAX, ADAPTER ASSY: BRASS GOLD OVER NICKEL
 CENTER CONTACT: COPPER BERYLIUM - GOLD OVER NICKEL PLATED
 INSULATOR: PTFE

This information is given as an indication. In the continual goal to improve our products, we reserve the right to make any modifications judged necessary.

4112_9311

CREATION				
PEN: M970400008A				
NOM: K.PECHEUX				
DATE: 10 APRIL 97				
APPR.:	Issue	Revisions	Name	Approved